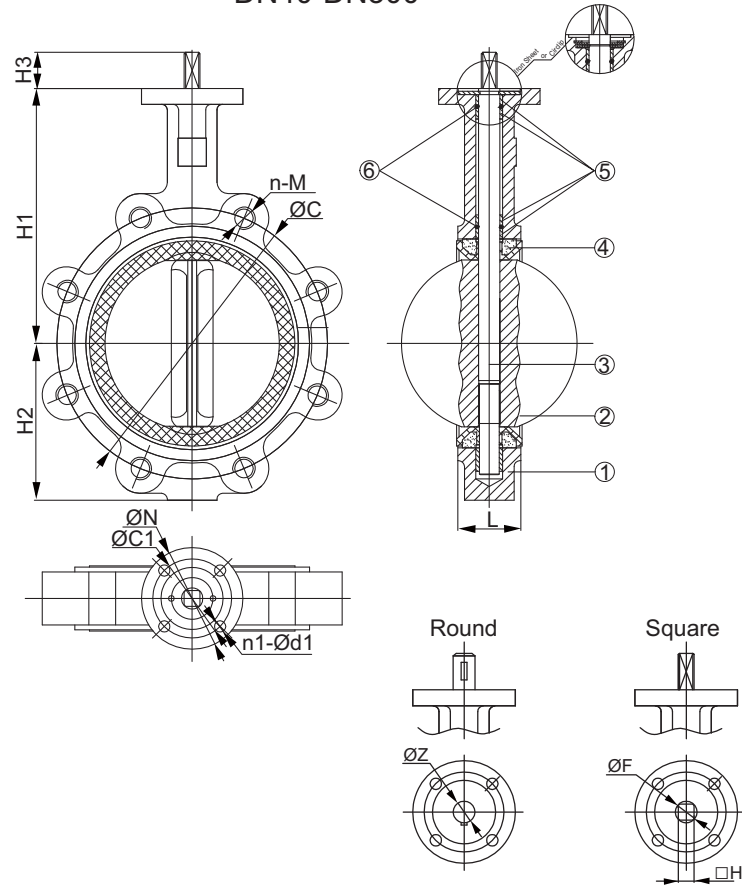
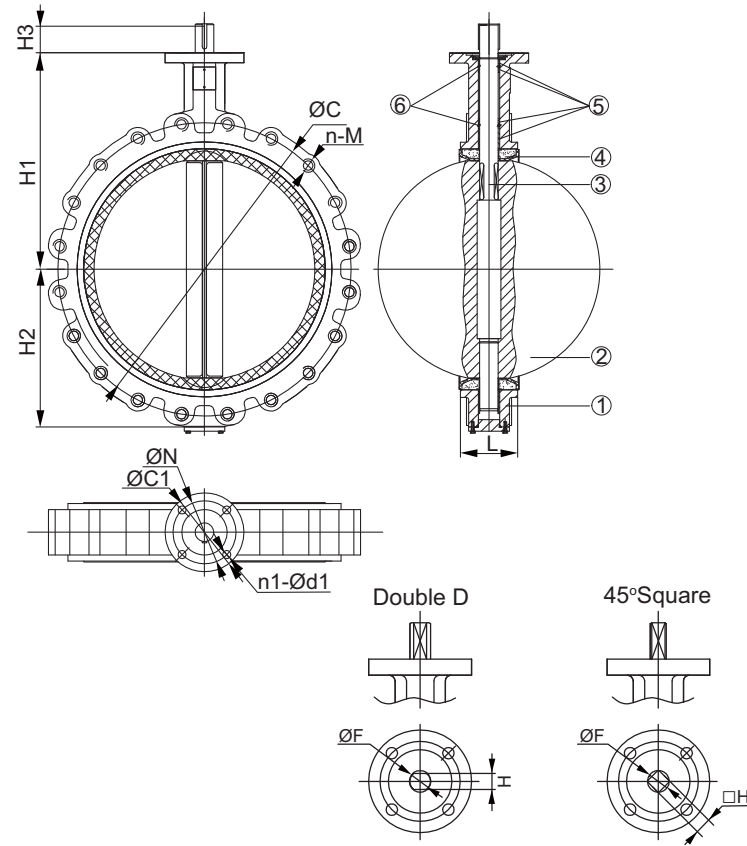


DN40-DN300



DN350-DN800



SIZE		L	H1	H2	H3	ISO5211				DIN2501 PN16		ØZ	ØF	H
DN	NPS					No.	ØN	ØC1	n1-Ød1	ØC	n-M			
40	1.5"	33	139	68	29	F05	65	50	4-Ø8	110	4-M16	12.6	12.1	9
50	2"	43	161	80	29	F05	65	50	4-Ø8	125	4-M16	12.6	12.1	9
65	2-1/2"	46	175	89	29	F05	65	50	4-Ø8	145	4-M16	12.6	12.1	9
80	3"	46	181	95	29	F05	65	50	4-Ø8	160	8-M16	12.6	12.1	9
100	4"	52	200	114	29	F07	90	70	4-Ø10	180	8-M16	15.77	14.1	11
125	5"	56	213	127	29	F07	90	70	4-Ø10	210	8-M16	18.92	18.1	14
150	6"	56	226	139	29	F07	90	70	4-Ø10	240	8-M20	18.92	18.1	14
200	8"	60	260	175	35	F10	125	102	4-Ø12	295	12-M20	22.2	22.2	17
250	10"	68	292	203	35	F10	125	102	4-Ø12	355	12-M24	28.45	28.2	22
300	12"	78	337	242	35	F10	125	102	4-Ø12	410	12-M24	31.6	28.2	22
350	14"	78	368	267	45	F10	125	102	4-Ø12	470	16-M24	31.6	28.2	22
400	16"	102	400	298.6	51.2	F14	175	140	4-Ø18	525	16-M27	33.15	28.2	22
450	18"	114	422	318	51.2	F14	175	140	4-Ø18	585	20-M27	38	36.2	27
500	20"	127	480	355	64.2	F14	175	140	4-Ø18	650	20-M30	41.15	36.2	27
600	24"	154	562	444	70.2	F16	210	165	4-Ø22	770	20-M33	50.65	48.2	36
700	28"	165	623.9	505.1	66	F25	300	254	8-Ø18	840	24-M33	55	60.2	46
750	30"	165	646	499	66	F25	300	254	8-Ø18	900	24-M33	55	60.2	46
800	32"	190	672	576	66	F25	300	254	8-Ø18	950	24-M36	55	60.2	46

DN40-DN800 B10 Lug Type Butterfly Valve Without Pin



DWG NO. LBWOP10

