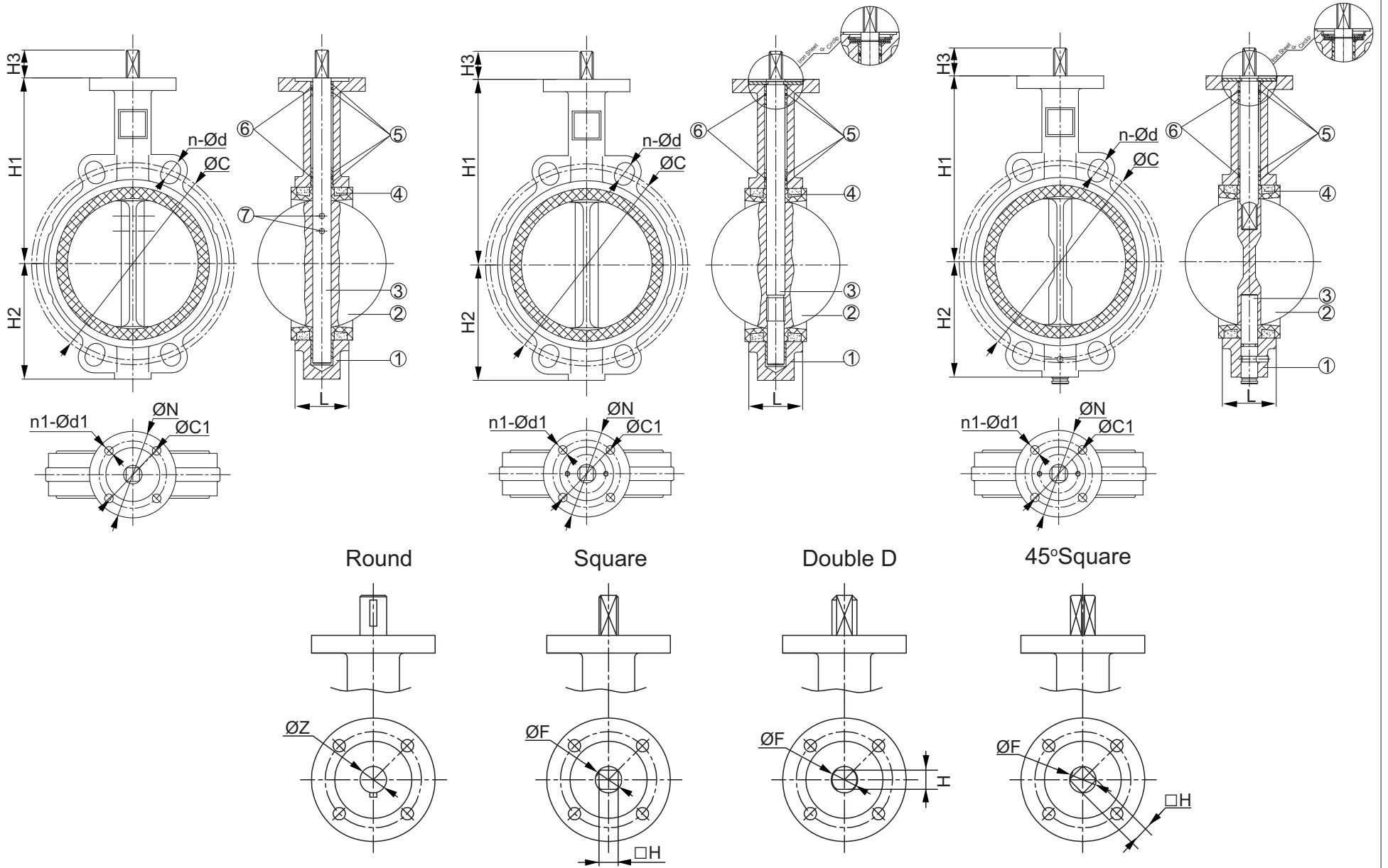


With Pin

Without Pin

Two Shaft



SIZE		L	H1	H2	H3	ISO5211				DIN2501						ØZ	ØF	H
DN	NPS					No.	ØN	ØC1	n1-Ød1	PN6		PN10		PN16				
40	1.5"	33	120	67	29	F05	65	50	4-Ø8	100	4-Ø14	110	4-Ø18	110	4-Ø18	12.6	12.1	9
50	2"	43	140	70	29	F05	65	50	4-Ø8	110	4-Ø14	125	4-Ø18	125	4-Ø18	12.6	12.1	9
65	2-1/2"	46	155	79	29	F05	65	50	4-Ø8	130	4-Ø14	145	4-Ø18	145	4-Ø18	12.6	12.1	9
80	3"	46	160	95	29	F05	65	50	4-Ø8	150	4-Ø18	160	8-Ø18	160	8-Ø18	12.6	12.1	9
100	4"	52	180	107	29	F07	90	70	4-Ø10	170	4-Ø18	180	8-Ø18	180	8-Ø18	15.77	14.1	11
125	5"	56	193	120	29	F07	90	70	4-Ø10	200	8-Ø18	210	8-Ø18	210	8-Ø18	18.92	18.1	14
150	6"	56	200	139	29	F07	90	70	4-Ø10	225	8-Ø18	240	8-Ø22	240	8-Ø22	18.92	18.1	14
200	8"	60	240	170	35	F10	125	102	4-Ø12	280	8-Ø18	295	8-Ø22	295	12-Ø22	22.2	22.2	17
250	10"	68	272	200	35	F10	125	102	4-Ø12	335	12-Ø18	350	12-Ø22	355	12-Ø26	28.45	28.2	22
300	12"	78	317	242	37	F10	125	102	4-Ø12	395	12-Ø23	400	12-Ø22	410	12-Ø26	31.6	28.2	22

DN40-DN300 B11 Butterfly Valve



DWG NO. WBFV11

