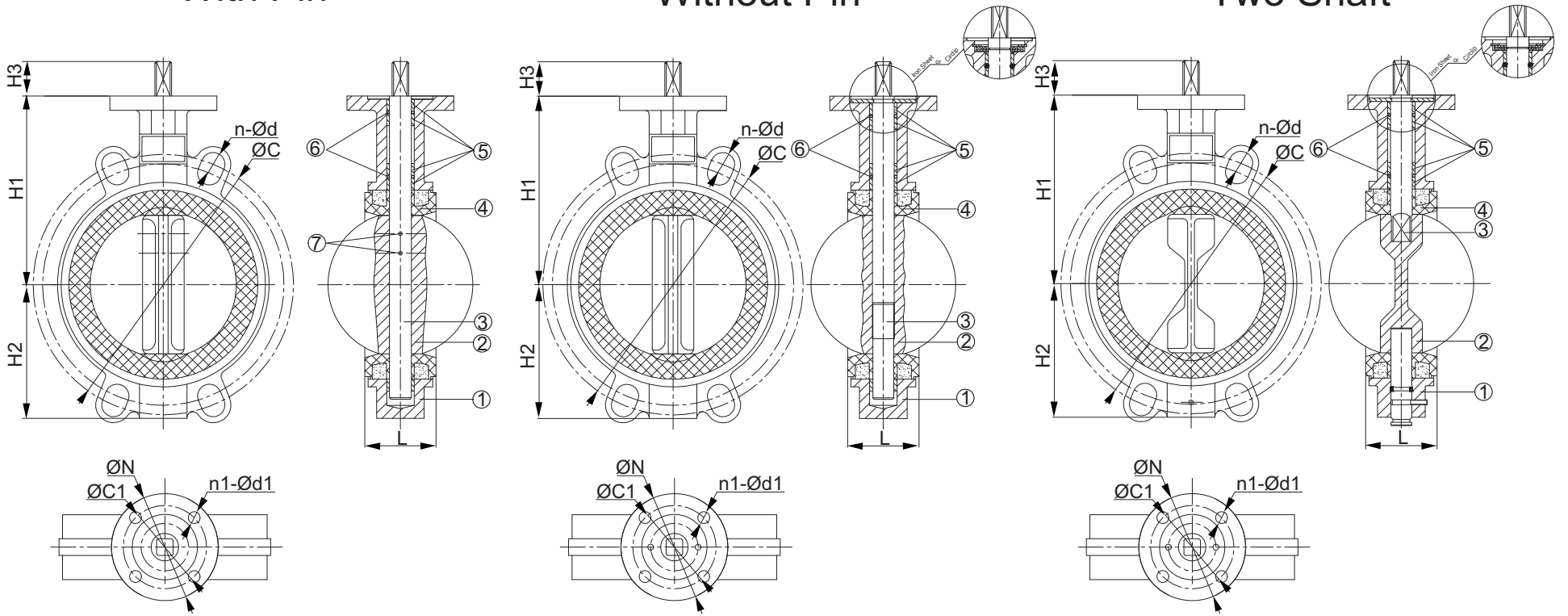


With Pin

Without Pin

Two Shaft

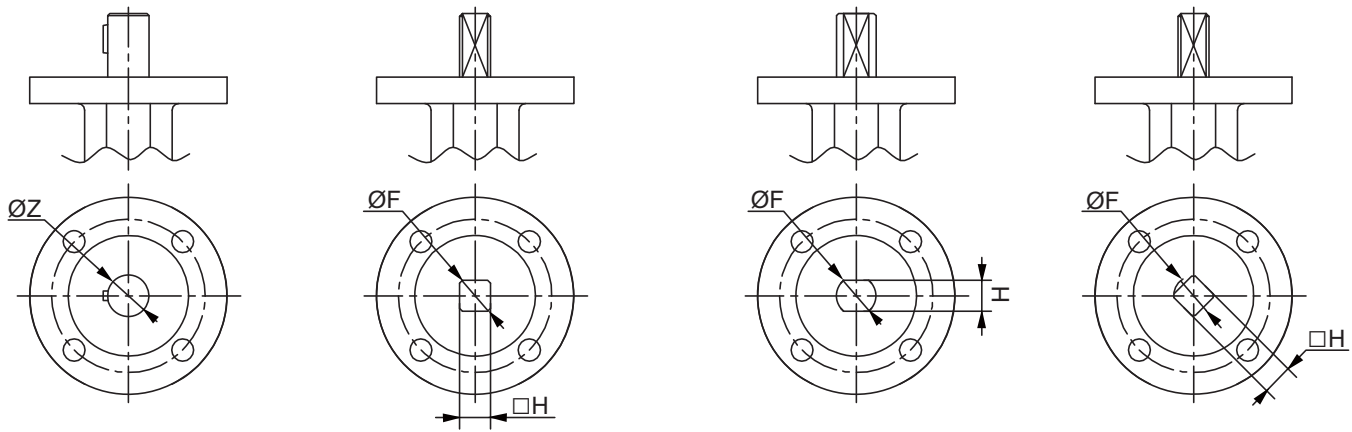


Round

Square

Double D

45°Square



| SIZE | | L | H1 | H2 | H3 | ISO5211 | | | | DIN2501 PN10/PN16 | | ØZ | ØF | H |
|------|--------|----|-------|--------|----|---------|-----|-----|--------|-------------------|-----------|-------|------|----|
| DN | NPS | | | | | No. | ØN | ØC1 | n1-Ød1 | ØC | n-Ød | | | |
| 50 | 2" | 43 | 110 | 60 | 29 | F05 | 65 | 50 | 4-Ø8 | 125 | 4-Ø18 | 12.6 | 12.1 | 9 |
| 65 | 2-1/2" | 46 | 116 | 68 | 29 | F05 | 65 | 50 | 4-Ø8 | 145 | 4-Ø18 | 12.6 | 12.1 | 9 |
| 80 | 3" | 46 | 126 | 82 | 29 | F05 | 65 | 50 | 4-Ø8 | 160 | 8-Ø18 | 12.6 | 12.1 | 9 |
| 100 | 4" | 52 | 146 | 100 | 29 | F07 | 90 | 70 | 4-Ø10 | 180 | 8-Ø18 | 15.77 | 14.1 | 11 |
| 125 | 5" | 56 | 161.5 | 112 | 29 | F07 | 90 | 70 | 4-Ø10 | 210 | 8-Ø18 | 18.92 | 18.1 | 14 |
| 150 | 6" | 56 | 180 | 128 | 29 | F07 | 90 | 70 | 4-Ø10 | 240 | 8-Ø22 | 18.92 | 18.1 | 14 |
| 200 | 8" | 60 | 216.5 | 161.75 | 35 | F10 | 125 | 102 | 4-Ø12 | 295 | 8/12-Ø22 | 22.1 | 22.1 | 17 |
| 250 | 10" | 68 | 249 | 195 | 35 | F10 | 125 | 102 | 4-Ø12 | 350/355 | 12-Ø22/26 | 28.45 | 28.2 | 22 |
| 300 | 12" | 78 | 281 | 232 | 35 | F10 | 125 | 102 | 4-Ø12 | 400/410 | 12-Ø22/26 | 31.6 | 28.2 | 22 |

DN40-DN300 B13 Wafer Butterfly Valve



DWG NO. WBFV13

