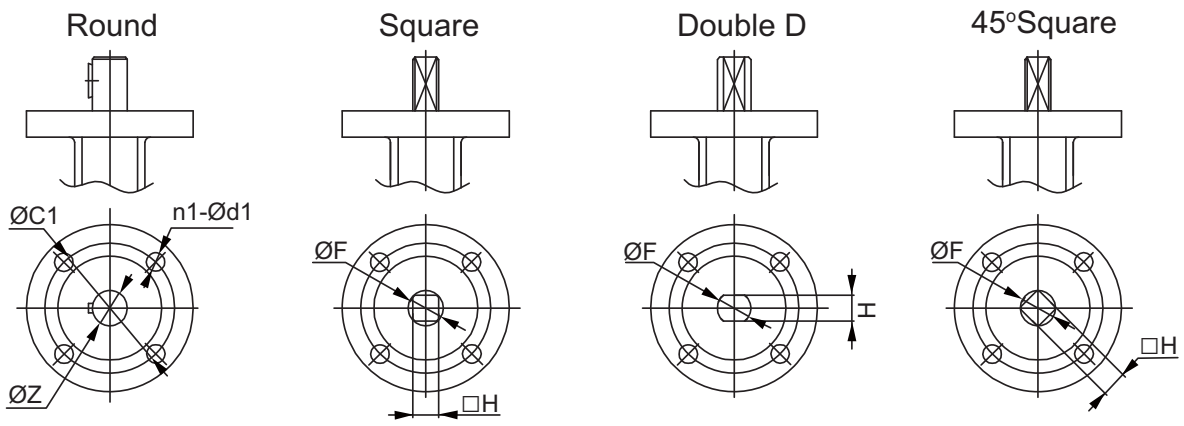
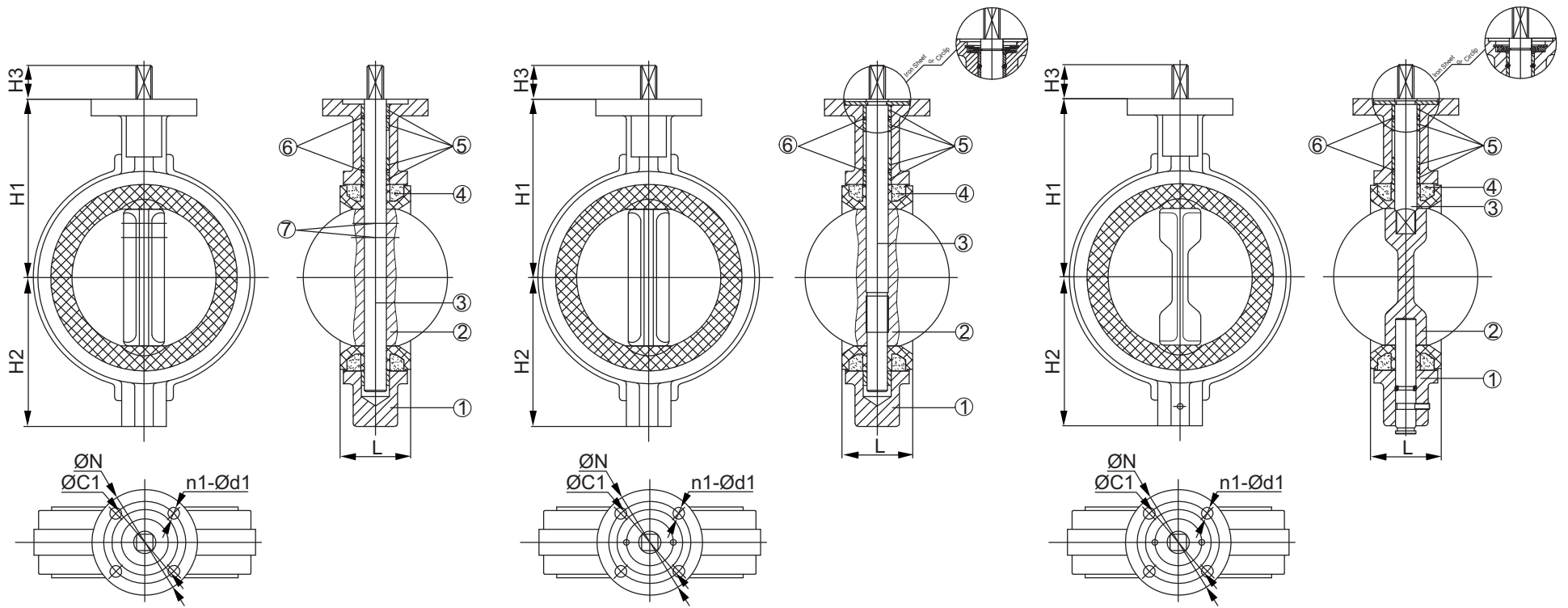


With Pin

Without Pin

Two Shaft



SIZE		L	H1	H2	H3	ISO5211				ØZ	ØF	H
DN	NPS					No.	ØN	ØC1	n1-Ød1			
50	2"	43	100	80	29	F05	65	50	8	12.6	12.1	9
65	2-1/2"	46	113	89	29	F05	65	50	8	12.6	12.1	9
80	3"	46	124	95	29	F05	65	50	8	12.6	12.1	9
100	4"	52	152	114	29	F10	90	70	10	15.77	14.1	11
125	5"	56	152	127	29	F10	90	70	10	18.92	18.1	14
150	6"	56	165	139	29	F10	90	70	10	18.92	18.1	14
200	8"	60	205	175	35	F12	125	102	12	22.1	22.1	17
250	10"	68	253	203	35	F12	125	102	12	28.45	28.1	22
300	12"	78	306	222	35	F12	125	102	12	31.6	28.1	22

DN40-DN300 B14 Wafer Butterfly Valve

DWG NO. WBFV14