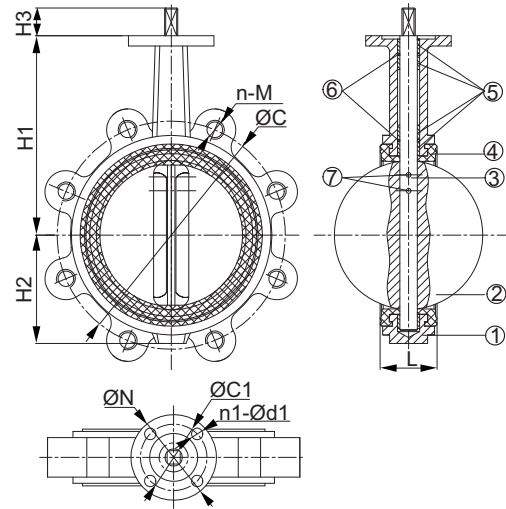
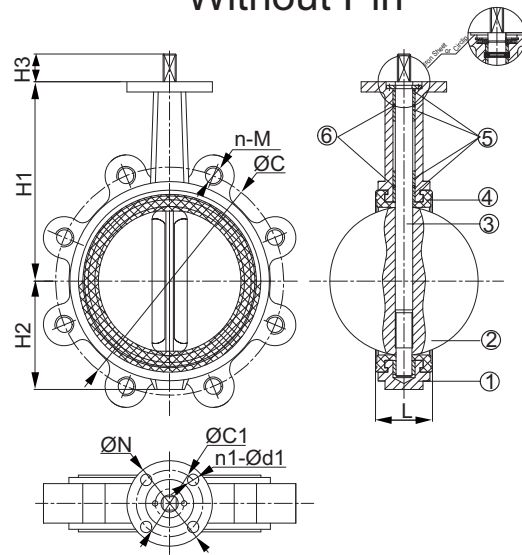


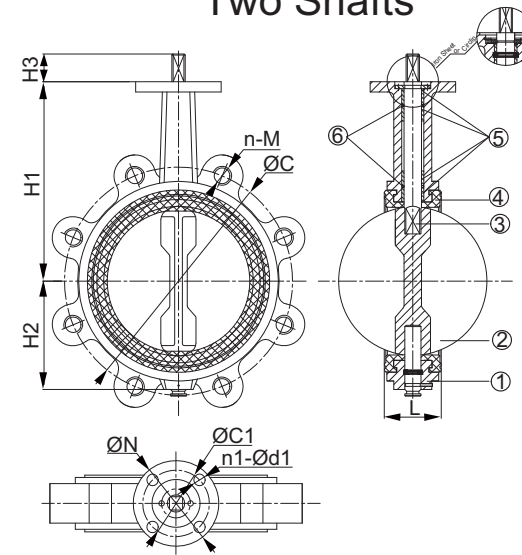
With Pin



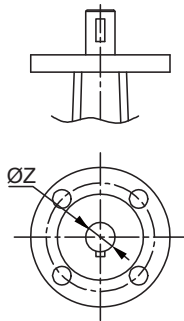
Without Pin



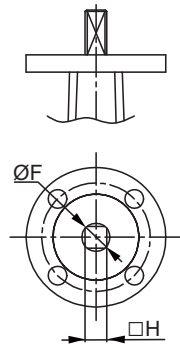
Two Shafts



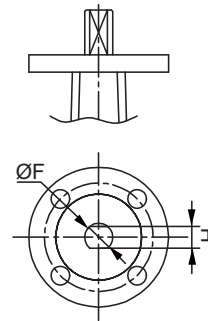
Round



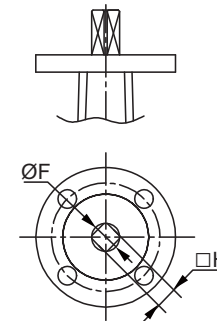
Square



Double D



45° Square



SIZE		L	H1	H2	H3	ISO5211				DIN2501 PN16		ØZ	ØF	H
DN	NPS					No.	ØN	ØC1	n1-Ød1	ØC	n-M			
50	2"	43	143	55	29	F05	65	50	4-Ø8	125	4-M16	12.6	12.1	9
65	2-1/2"	46	155	64	29	F05	65	50	4-Ø8	145	4-M16	12.6	12.1	9
80	3"	46	162	72	29	F05	65	50	4-Ø8	160	8-M16	12.6	12.1	9
100	4"	52	181	90	29	F07	90	70	4-Ø10	180	8-M16	15.77	14.1	11
125	5"	56	197	101	29	F07	90	70	4-Ø10	210	8-M16	18.92	18.1	14
150	6"	56	210	114	29	F07	90	70	4-Ø10	240	8-M20	18.92	18.1	14
200	8"	60	240	145	35	F10	125	102	4-Ø12	295	12-M20	22.1	22.1	17
250	10"	68	286	178	35	F10	125	102	4-Ø12	355	12-M24	28.45	28.2	22
300	12"	78	309	204	35	F10	125	102	4-Ø12	410	12-M24	31.6	28.2	22

DN40-DN300 B20 Lug Type Butterfly Valve



DWG NO. LBFV20

